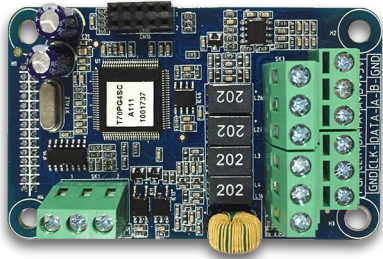


MT70-PG4-SC-A

Serial Communication Endcoder Card with FD Output



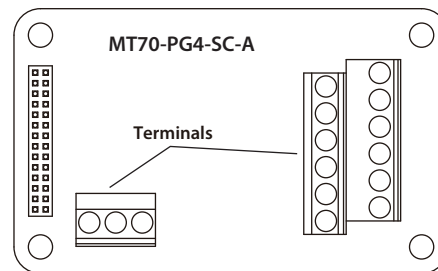
User Guide V1.0



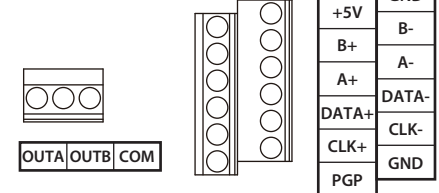
Features

- Support Heidenhain ECN1313/413/113.
- Support pulses output in encoder signal.
- Adapt to closed loop vector controlling (VC) under synchronous motor.

Terminal Description



Terminals

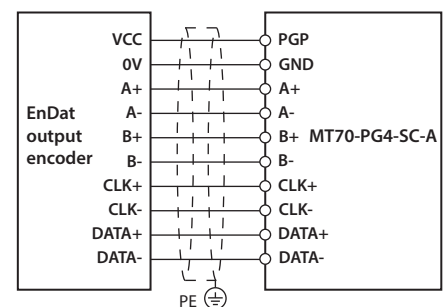


Terminals	Description	Terminals	Description
PGP	+5V power supply	COM	Output signal ground, isolated with GND
+5V	+5V power supply (sensor)	A+ / A-	Encoder differential SINCOS analogue A
GND	+5V power ground	B+ / B-	Encoder differential SINCOS analogue B
OUTA	Output signal A, OC output	CLK+ / CLK-	Encoder differential clock signal CLK
OUTB	Output B signal, OC output	DATA+ / DATA-	Encoder differential data signal DATA

Encoder Wiring

Wiring Requirement:

- Encoder card wire should be laid separately and keep distance from power cables and forbidden to parallel with them.
- Encoder card wire should be installed inside separated metal conduits and connected to ground firmly.



Application

Wiring for MT70-PG4-SC-A with Heidenhain ECN1313.

